

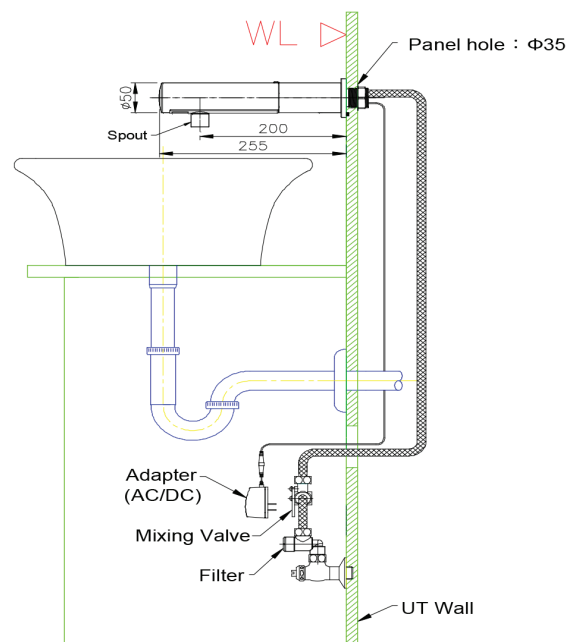
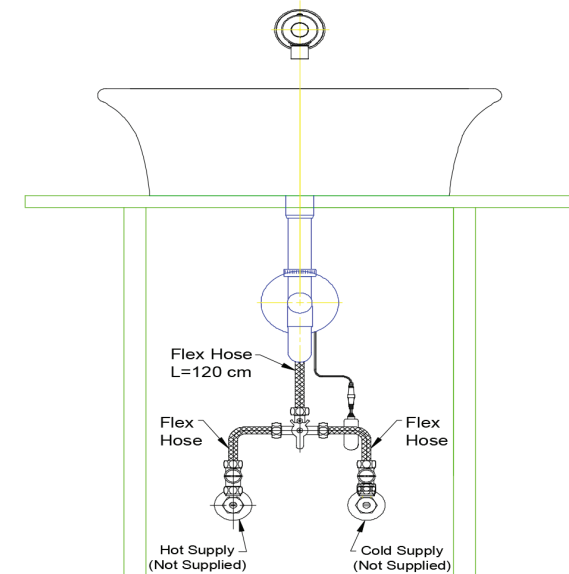
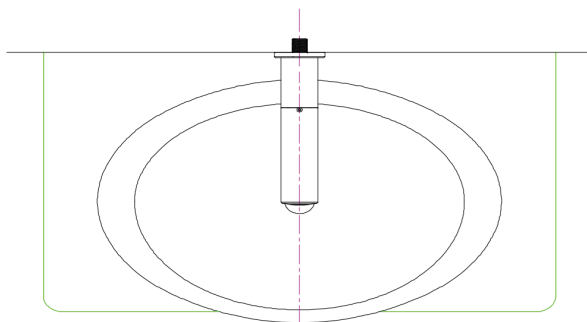
Purleve Panel Mounted Faucet



Below Deck Mechanical Temperature Mixing

Spec. & Features

- ◆ Infrared Sensor : Automatic Operation
- ◆ All-In-One Designed
- ◆ Stable performance, infrared sensor performs perfectly even in the sunlight or any light
- ◆ Waterproof, high quality and safety.
- ◆ Chrome Plated Cast Brass
- ◆ Power : Input AC110 ~ AC220V 50/60 Hz. Output DC 6V
- ◆ Power Consumption: 0.3W (Idle), 3W (In use)
- ◆ Infrared Sensor Range : 10cm
- ◆ Shut-off Delay Time : 1sec
- ◆ Time out Setting : 60sec
- ◆ Flowing Volume : 8.3L/min below
- ◆ Panel hole : $\Phi 35$ · Panel thickness : 5~20mm
- ◆ Operating Water Pressure : 10 to 100 PSI
- ◆ Water Supply Connection : PF 1/2
- ◆ Applicable Water Temperature : 39°F~185°F (4°C ~ 85°C)
- ◆ Warranty : 2 years



Purleve Panel Mounted Faucet



Below Deck Mechanical Temperature Mixing

Spec. & Features

- ◆ Infrared Sensor : Automatic Operation
- ◆ All-In-One Designed
- ◆ Below Deck Mechanical Temperature Mixing
- ◆ Stable performance, infrared sensor performs perfectly even in the sunlight or any light
- ◆ Waterproof, high quality and safety.
- ◆ Chrome Plated Cast Brass
- ◆ Battery Power : Size AA Alkaline Battery * 4pcs
- ◆ Battery Life : 3 Years (Based on 3000 cycles per month)
- ◆ Infrared Sensor Range : 10cm
- ◆ Shut-off Delay Time : 1sec
- ◆ Time out Setting : 60sec
- ◆ Flowing Volume : 8.3L/min below
- ◆ Panel hole : $\Phi 35$ · Panel thickness : 5~20mm
- ◆ Operating Water Pressure : 10 to 100 PSI
- ◆ Water Supply Connection : PF 1/2
- ◆ Applicable Water Temperature : 39°F~185°F (4°C ~ 85°C)
- ◆ Warranty : 2 years

