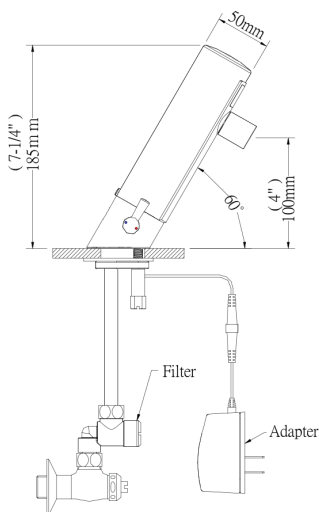
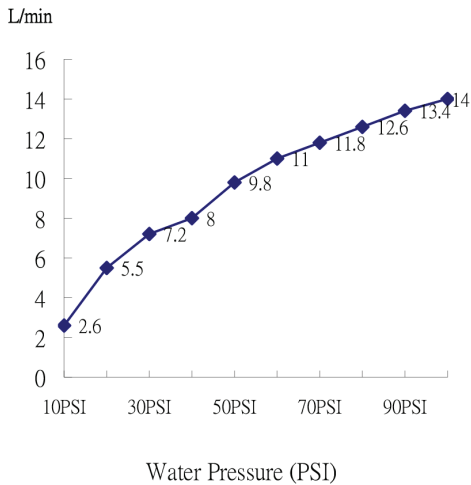


## Purleve Electronic Faucet

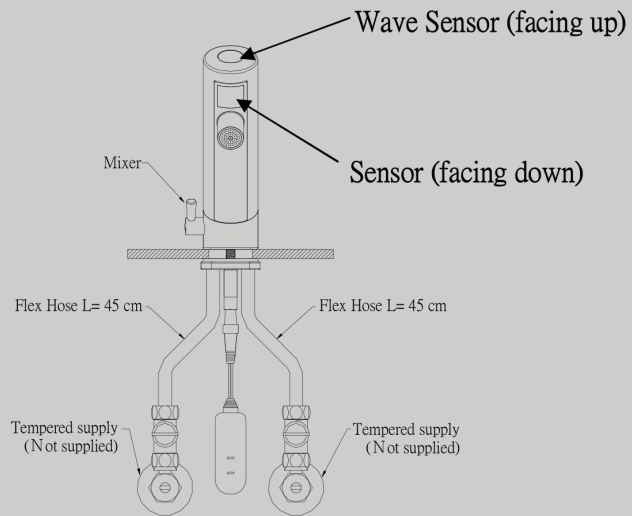


Faucet with Hot and Cold Water Supply



## Spec. & Features

- ◆ Infrared Sensor : Automatic Operation
- ◆ Stable performance, infrared sensor performs perfectly even in the sunlight or any light.
- ◆ Waterproof, high quality and safety.
- ◆ Chrome Plated Cast Brass
- ◆ Liner Adapter : Input AC110V~AC220V 50/60 Hz. Output DC 6V
- ◆ Power Consumption : 0.3W (Idle), 5W (In use)
- ◆ Infrared Sensor Range : Adjustable 5cm~ 20cm (auto adjusted)
- ◆ Shut-off Delay Time : 1sec
- ◆ Time out Setting : Wave Sensor (facing up) : 3minutes  
Sensor (facing down) : 1minute
- ◆ 2.2GPM/8.3LPM Laminar Flow Spray Head
- ◆ Include Filter : it filters out articles in water hence reducing maintenance cost; easy to take out and clean
- ◆ With Integral Spout Temperature Mixer
- ◆ Operating Water Pressure : 10 to 100 PSI
- ◆ Water Supply Connection : PF 1/2
- ◆ Mounted on a Single-Hole Lavatory or Deck (35Φ~45Φ)
- ◆ Applicable Water Temperature : 39°F~185°F (4°C ~ 85°C)
- ◆ Warranty : 2 years



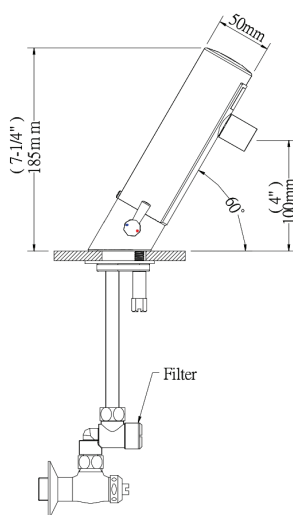
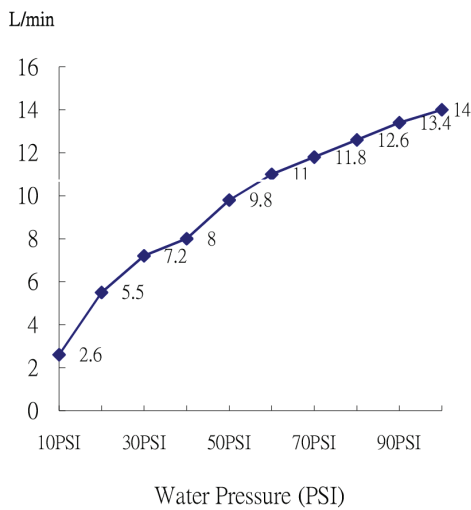
**Wave Sensor (facing up) :**  
 Activate water flow by waving your hand at the sensor.  
 To turn off the water, wave at the sensor again.

**Sensor (facing down) :**  
 The user's hands enter the sensor range to activate water flow.  
 The faucet automatically shuts off in 1 second after hands are moved away.

## Purleve Electronic Faucet

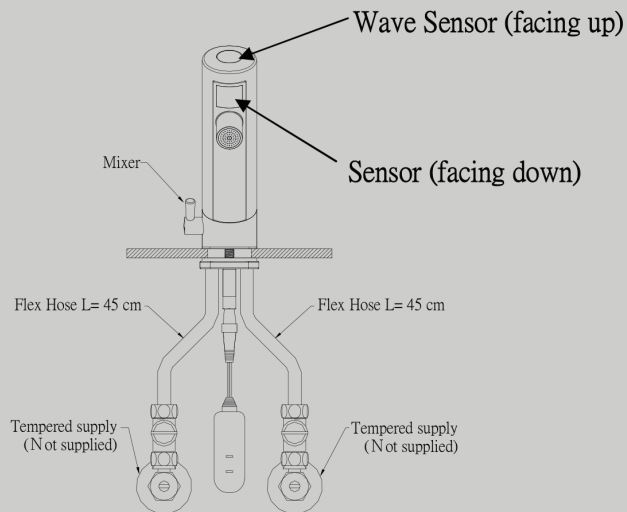


Faucet with Hot and Cold Water Supply



## Spec. & Features

- ◆ Infrared Sensor : Automatic Operation
- ◆ Stable performance, infrared sensor performs perfectly even in the sunlight or any light.
- ◆ Waterproof, high quality and safety.
- ◆ Chrome Plated Cast Brass
- ◆ Battery Power : Size AA Alkaline Battery \* 4pcs
- ◆ Battery Life : 2 Years ( Based on 3000 cycles per month)
- ◆ Infrared Sensor Range : Adjustable 5cm~20cm (auto adjusted)
- ◆ Shut-off Delay Time : 1sec
- ◆ Time out Setting : Wave Sensor (facing up) : 3minutes  
Sensor (facing down) : 1minute
- ◆ 2.2GPM/8.3LPM Laminar Flow Spray Head
- ◆ Include Filter : it filters out articles in water hence reducing maintenance cost; easy to take out and clean
- ◆ Low Battery Indicator Light (LED)
- ◆ With Integral Spout Temperature Mixer
- ◆ Operating Water Pressure : 10 to 100 PSI
- ◆ Water Supply Connection : PF 1/2
- ◆ Mounted on a Single-Hole Lavatory or Deck (35Φ~45Φ)
- ◆ Applicable Water Temperature : 39°F~185°F (4°C ~ 85°C)
- ◆ Warranty : 2 years



**Wave Sensor (facing up) :**  
 Activate water flow by waving your hand at the sensor.  
 To turn off the water, wave at the sensor again.

**Sensor (facing down) :**  
 The user's hands enter the sensor range to activate water flow.  
 The faucet automatically shuts off in 1 second after hands are moved away.